

jetspray™
BY CORNELIUS

MODEL JT20

2 FLAVOR

VISUAL DISPLAY DISPENSER

Premium Model (shown) features paddle agitation system for heavy pulp, wipe clean domed evaporator, fewer parts to clean and black cladding.



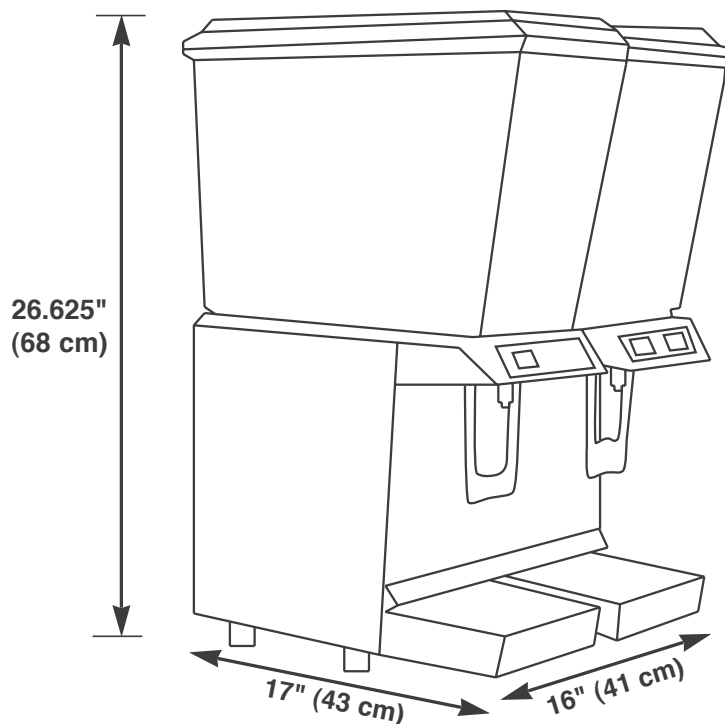
FEATURES:

- Visual display dispensing system creates impulse sales
- Choice of Standard or Premium models
- Interchangeable 3 (11 L) and 5 (19 L) gallon bowls mix and match to meet variable product demand
- Unique pinch tube system reliably dispenses all types of beverages, including those with heavy pulp
- No downtime because any one bowl can be removed and sanitized while the other operates
- Easy cleaning and maintenance



CATG8620-0109

JUICE



PART NUMBER	DESCRIPTION
721001213	Cold Beverage Dispenser JT20 Visual Two Bowl, 5 Gal Paddle Agitation (no spray), Domed Evaporator, Black Cladding, 115V/60Hz
A8420	Cold Beverage Dispenser JT20 Visual Two Bowl, 5 Gal Spray Type White Cladding, 115V / 60Hz
A8430	Cold Beverage Dispenser JT20 Visual Two Bowl, 5 Gal Spray Type White Cladding, 230V / 50Hz
A8450	Cold Beverage Dispenser JT20 Visual Two Bowl, 5 Gal Spray Type White Cladding, 230V / 60Hz

TECHNICAL SPECIFICATIONS:

CABINETRY White plastic (Standard), Black plastic (Premium) and stainless steel

BEVERAGE BOWL & COVER Transparent, virtually unbreakable LEXAN® resin, with US gallon and liter markings

BEVERAGE CAPACITY Large Bowl: ~10 gal (38 L)
Small Bowl: ~6 gal (22.8 L)

CUP CLEARANCE 9"

REFRIGERATION Jet Spray 1/5 HP hermetically sealed system R134a

PACKAGING Packed in 3 cartons, 1 for base and 2 for bowls

NET WEIGHT JT Series: 52 lb (23.6 kg)

SHIPPING WEIGHT JT Series: 62 lb (28.2 kg)

AGENCY LISTINGS



IN THE U.S.A.
Ph: 800.238.3600
Fax: 763.488.4283

OUTSIDE THE U.S.A.
Ph: 763.488.8200
Fax: 763.488.4283

101 Broadway Street West
Osseo, MN 55369
www.cornelius.com